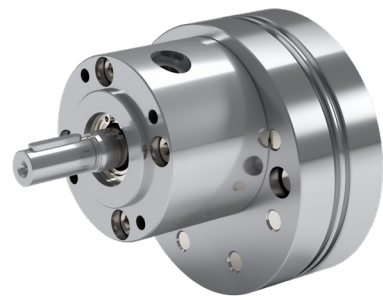


- | Gear Pumps
- | Flow Measurement
- | Hydraulics
- | Valves

Gear Metering Pumps **ADP**

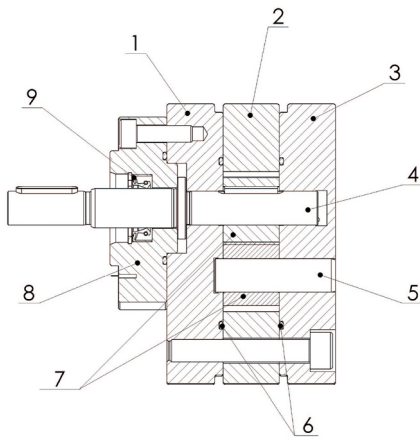


KRACHT®

Your fluid solution partner

General characteristics / Technical data

I Construction



- 1 Front plate
- 2 Center plate
- 3 Rear plate
- 4 Drive shaft
- 5 Arbor
- 6 O-rings
- 7 Gears
- 8 Seal carrier
- 9 Shaft sealing

I Description

The ADP is a high precision external gear metering pump. With extremely small clearances and an optimal gear geometry the ADP has a very high volumetric efficiency also at difficult combinations e.g. high pressure together with low turning speed and low viscosities.

The main parts of the pump are made of stainless steel. Because of that a wide range of fluids can be pumped. For various kinds of applications different types of radial lip-type seals, a stuffing box packing or a magnetic coupling are available. On request the ADP can be supplied as a pump-motor unit.

I Materials

Pump plates	Stainless steel 1.4112
Gears	Stainless steel 1.4112
Drive shaft and arbor	Stainless steel 1.4112
O-rings	FKM, PTFE

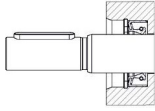
I Overview

Nominal size in cm ³ /rev	ADP-1 0.1 · 0.3 · 0.6 · 1.2 · 1.8 · 2.4 · 3.0 · 4.8 · 6.0 ADP-2 12.0 · 20.0
Clearance group	S small clearance M medium clearance L large clearance
Direction of rotation	clockwise (facing shaft end)
Max. Operating pressure (Outlet side)	p _b max. 200 bar (depending on viscosity, speed and motor power)
Speed range	10 ... 200 1/min (depending on pressure, viscosity and motor power)
Viscosity	v _{min} 1.0 mm ² /s (depending on pressure and speed) v _{max} depending on inlet conditions, speed and motor power
Media temperature	-20 ... 200 °C
Ambient temperature	-30 ... 120 °C

Shaft end seals

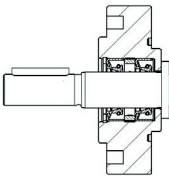
I Variants

Single radial lip-type seal



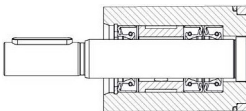
Materials	Pressure inlet side	Media temperature
FKM	0 ... 10 bar	-20 ... 150 °C
PTFE	0 ... 5 bar	-20 ... 200 °C

Double radial lip-type seal



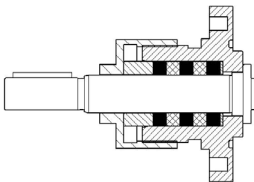
Materials	Pressure inlet side	Media temperature
FKM	0 ... 10 bar	-20 ... 150 °C
PTFE	0 ... 5 bar	-20 ... 200 °C

Triple radial lip-type seal



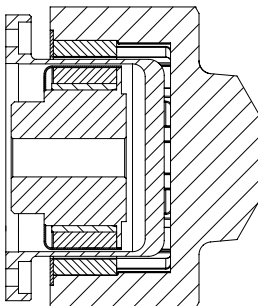
Materials	Pressure inlet side	Media temperature
FKM	0 ... 10 bar	-20 ... 150 °C
PTFE	0 ... 5 bar	-20 ... 200 °C

Gland Packing



Materials	Pressure inlet side	Media temperature
PTFE/Graphite	0 ... 50 bar	-20 ... 200 °C

Magnetic coupling



Material	Druck Eingangsseite	Medientemperatur
Stainless steel	0 ... 10 bar	-20 ... 150 °C

Type key ADP-1

Example

ADP-1	1	0.1	S	R	F	A	EEF	N	1W
1	2	3	4	5	6	7	8	9	10

1 Product		
ADP-1		
ADP-2		

2 Series	
1	ADP-1
2	ADP-2

3 Nominal size	
0.1	ADP-1
0.3	ADP-1
0.6	ADP-1
1.2	ADP-1
1.8	ADP-1
2.4	ADP-1
3.0	ADP-1
4.8	ADP-1
6.0	ADP-1
12.0	ADP-2
20.0	ADP-2

4 Clearance group	
S	Small clearance
M	Medium clearance
L	Large clearance

5 Direction of rotation	
R	Clockwise (facing shaft end)

6 Type of fixation	
F	Flange

7 Type of pipe connection		
A	In: rear G 3/8" Out: rear G 1/4"	ADP-1
B	In: rear G 1/2" Out: rear G 1/2"	ADP-2

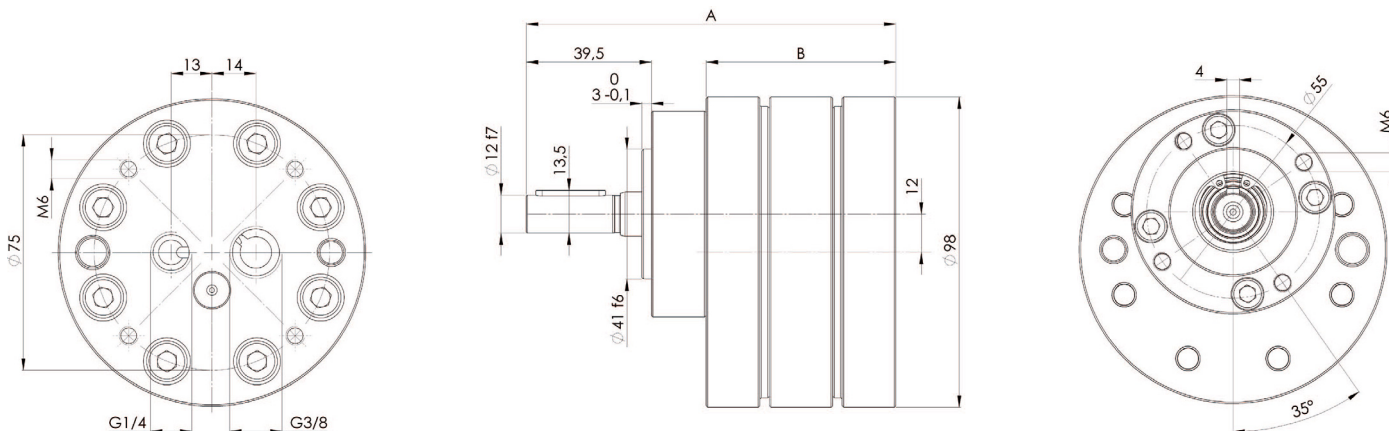
8 Material code			
EEF	Plates / Gears: stainless steel	Sealings: FKM	Without coating
EEP	Plates / Gears: stainless steel	Sealings: PTFE	Without coating
BEF	Plates / Gears: stainless steel	Sealings: FKM	With coating for fluids with poor lubricity
BEP	Plates / Gears: stainless steel	Sealings: PTFE	With coating for fluids with poor lubricity
BBF	Plates / Gears: stainless steel	Sealings: FKM	With coating for abrasive fluids
BBP	Plates / Gears: stainless steel	Sealings: PTFE	With coating for abrasive fluids

9 Bearing	
N	Without bearing bushing
M	With bearing bushing

10 Shaft sealing		
1W	Single radial lip-type seal	ADP-1/2
2W	Double radial lip-type seal	ADP-2
3W	Triple radial lip-type seal	ADP-1
PA	Gland packing	ADP-1/2
MK	Prepared for magnetic coupling	ADP-1/2

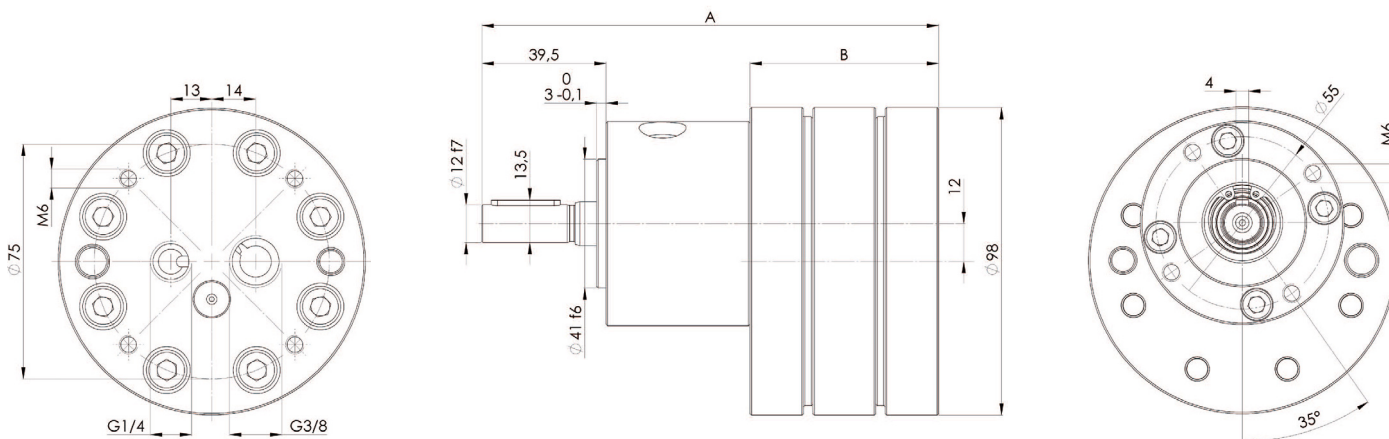
Dimensions

I ADP-1 – Single radial lip-type seal (1W)



Nominal size	A	B
ADP-1-0.1	99	42
ADP-1-0.3	103	46
ADP-1-0.6	109	52
ADP-1-1.2	105	48
ADP-1-1.8	109	52
ADP-1-2.4	113	56
ADP-1-3.0	117	60
ADP-1-4.8	118	61
ADP-1-6.0	123	66

I ADP-1 – Triple radial lip-type seal (3W)

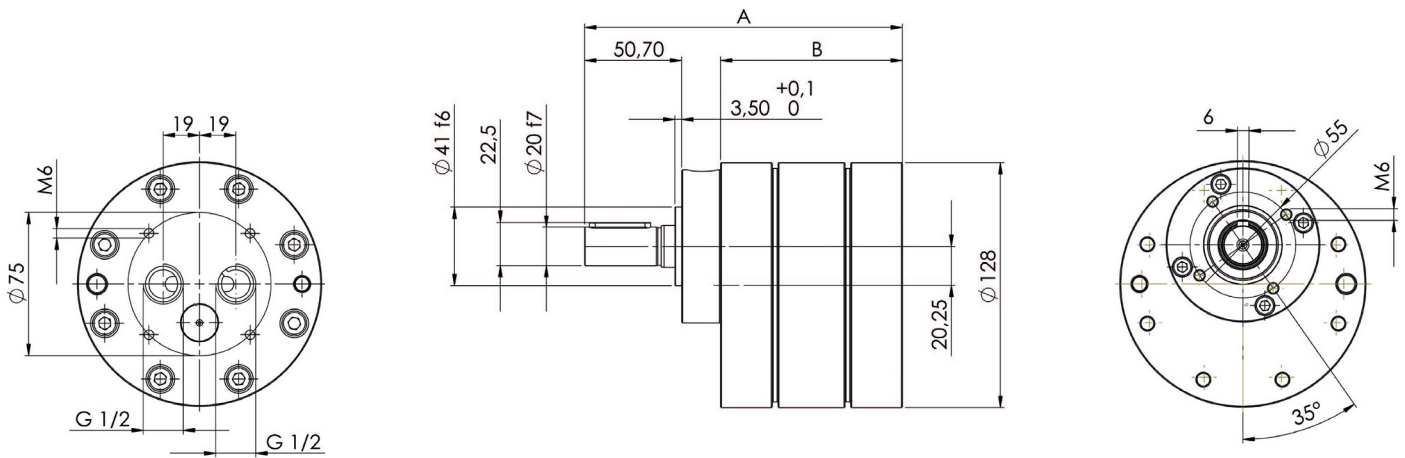


Nominal size	A	B
ADP-1-0.1	127	42
ADP-1-0.3	131	46
ADP-1-0.6	137	52
ADP-1-1.2	133	48
ADP-1-1.8	137	52
ADP-1-2.4	141	56
ADP-1-3.0	145	60
ADP-1-4.8	146	61
ADP-1-6.0	151	66

Dimensions in mm

Dimensions

I ADP-2 – Single radial lip-type seal (1W) / Double radial lip-type seal (2W)



Nominal size	A	B
ADP-2-12.0	152	81
ADP-2-20.0	166	95

I Gear Pumps

Low and high-pressure gear pumps for lubricating oil, hydraulic, process and test bench applications, fuel and metering systems.



I Flow Measurement

Gear, turbine and screw type flow meters and electronics for volume and flow, metering and consumption in the chemical industry, hydraulic, process and test bench technology.



I Hydraulics

Single and multistage high-pressure gear pumps, gear motors and valves for construction machinery, municipal vehicles, agricultural vehicles, special vehicles and truck bodies.



I Valves

Cetop valves for all requirements stationary and mobile applications. Pressure, switching and stop valves with pipe connection for high flow rates. Special valves.



KRACHT®

KRACHT GmbH · Gewerbestraße 20 · 58791 Werdohl, Germany
 Phone +49 2392.935 0 · Fax +49 2392.935 209
 E-Mail info@kracht.eu · Web www.kracht.eu